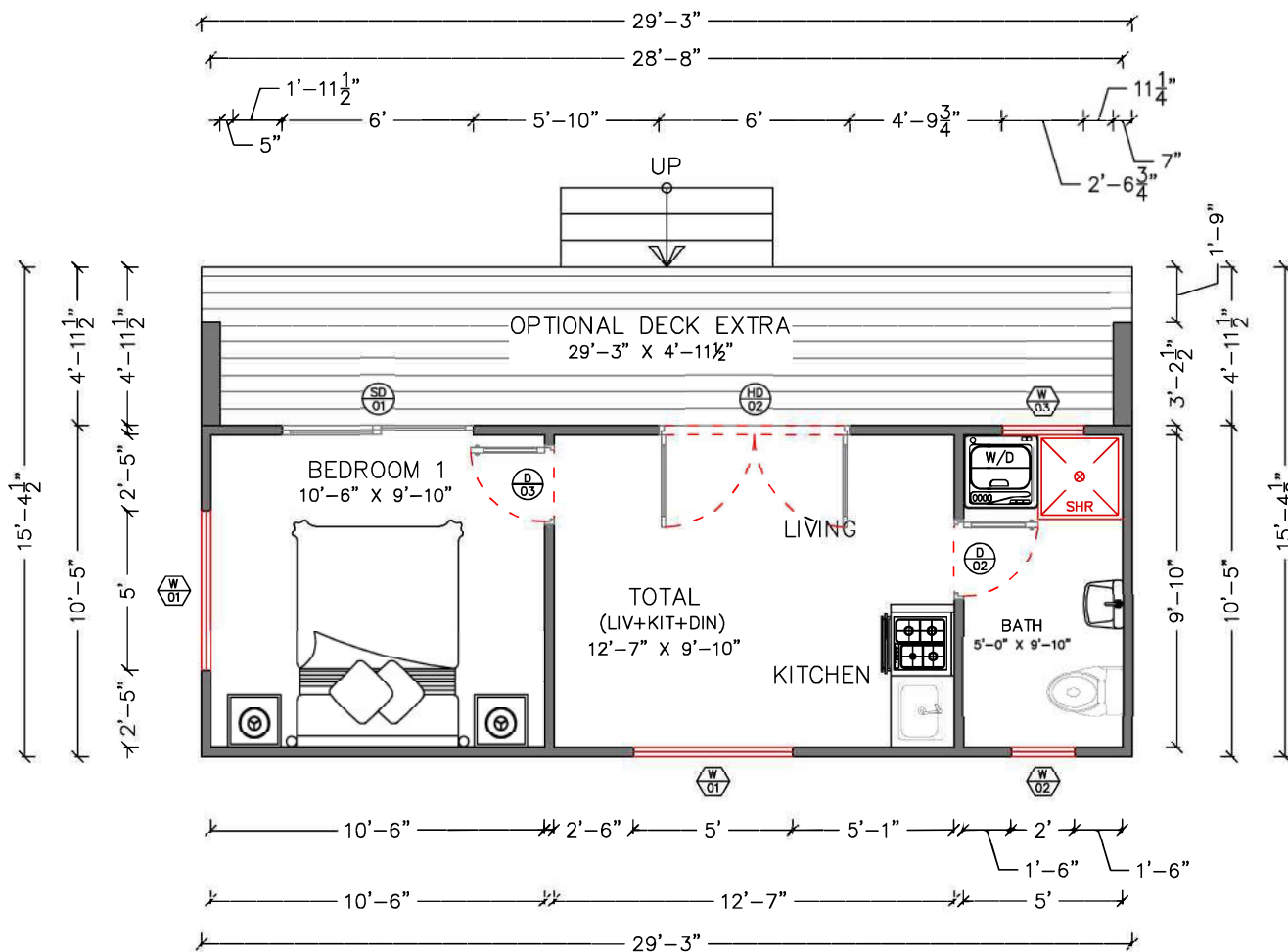




WAVE 1BD 1BA 305 SQ.FT.



**WELL DONE
HOMES**



1 GROUND FLOOR PLAN
SCALE= 1:100

GROUND FLOOR PLAN

| | | | | | | | |
|-----------------------------|---|----------------------|------------|-----|------|-------------|-----------------|
| DESIGN: THE WAVE | ADDRESS: Los Angeles | S.P.: | ISSUE: | REV | DATE | DESCRIPTION | DRAWN CHECKED |
| STAGED PLAN: PRELIMINARY | | SCALE: 1:100 @ A3 | | | | | |
| CLIENT: | USE FIGURED DIMENSIONS AT ALL TIMES. REFER ANY ENQUIRES TO BUILDING CONTRACTOR. ALL DIMENSIONS TO BE VERIFIED ON SITE PRIOR TO CONSTRUCTION. ALL WORK TO COMPLY WITH LOCAL AUTHORITY REGULATIONS. | DWG NO: AR-001 | LAND AREA: | | | | |

AREA SCHEDULE

| | |
|---------------------|-----------|
| OPTIONAL DECK EXTRA | 145.00 SF |
| GROUND FLOOR LIVING | 305.00 SF |
| TOTAL AREA | 450.00 SF |

SCHEDULE OF DOORS

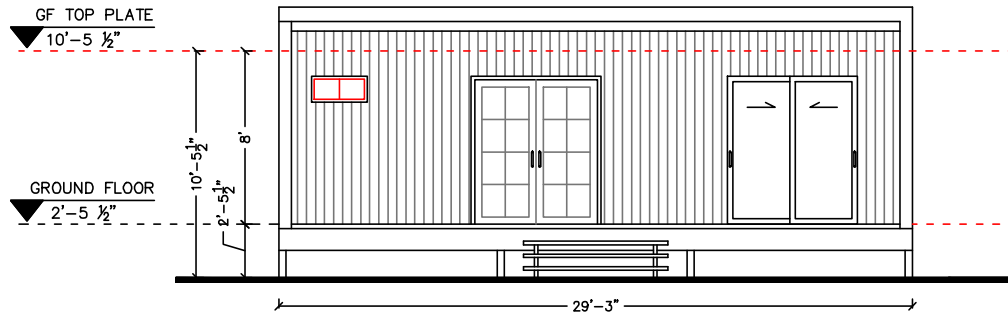
| DOOR MK | DOOR SIZE | | DOOR ROU. OPNG. | | NOS. REQD. |
|---------|-----------|-----|-----------------|--------|------------|
| | W | HT | W | HT | |
| SD1 | 72" | 80" | 72.5" | 80.75" | 01 |
| HD2 | 72" | 80" | 72.5" | 80.75" | 01 |
| D3 | 30" | 80" | 32" | 82" | 02 |

SCHEDULE OF WINDOWS

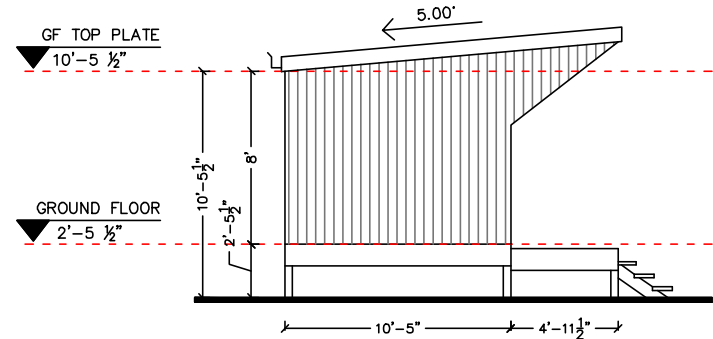
| WINDOW MK | GF. WINDOW SIZE | | GF. WINDOW ROU. OPNG. | | NOS. REQD. |
|-----------|-----------------|--------|-----------------------|--------|------------|
| | W | HT | W | HT | |
| W1 | 60" | 30" | 60.5" | 30.5" | 02 |
| W2 | 24" | 24" | 24.5" | 24.5" | 01 |
| W3 | 30.75" | 14.25" | 31.25" | 14.75" | 01 |

PRELIM PLANS NOT FOR CONSTRUCTION

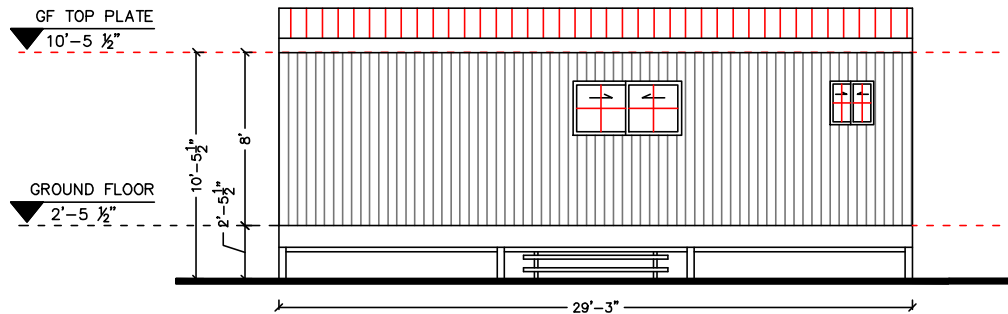




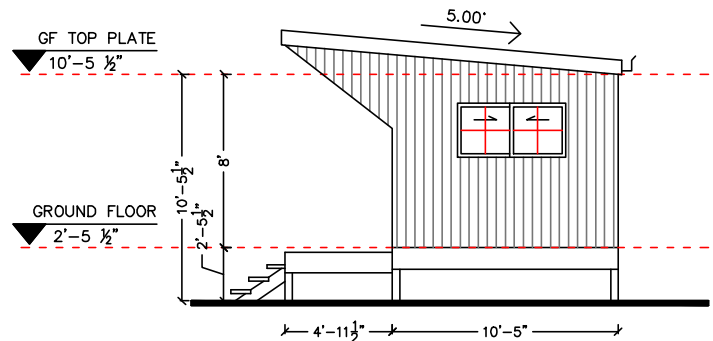
1 FRONT ELEVATION
SCALE= 1:100



1 LEFT SIDE ELEVATION
SCALE= 1:100



1 REAR ELEVATION
SCALE= 1:100



1 RIGHT SIDE ELEVATION
SCALE= 1:100

ELEVATIONS

| | | | | | | | |
|-----------------------------|---|----------------------|------------|-----|------|-------------|-----------------|
| DESIGN: THE WAVE | ADDRESS: Los Angeles | S.P.: | ISSUE: | REV | DATE | DESCRIPTION | DRAWN CHECKED |
| STAGED PLAN: PRELIMINARY | | SCALE: 1:100 @ A3 | | | | | |
| CLIENT: | USE FIGURED DIMENSIONS AT ALL TIMES. REFER ANY ENQUIRES TO BUILDING CONTRACTOR. ALL DIMENSIONS TO BE VERIFIED ON SITE PRIOR TO CONSTRUCTION. ALL WORK TO COMPLY WITH LOCAL AUTHORITY REGULATIONS. | DWG NO: AR-002 | LAND AREA: | | | | |

PRELIM PLANS NOT FOR CONSTRUCTION





Drawings are not to scale. Colors and materials indicative only and are subject to change

Options available

- For any modifications to the plans, please contact us at info@welldone1kithomes.com

Please refer to the floor plans for recommendations on your interior layout.

Website : www.welldone1kithomes.com
 Email : info@welldone1kithomes.com

| | | | |
|-------------------------------|-------------------------------------|-----------------------|--|
| DESIGN: Wave 305 SF | STAGED PLAN:: PRELIMINARY | ADDRESS: US | <small>USE FIGURED DIMENSIONS AT ALL TIMES. REFER ANY ENQUIRES TO BUILDING CONTRACTOR. ALL DIMENSIONS TO BE VERIFIED ON SITE PRIOR TO CONSTRUCTION. ALL WORK TO COMPLY WITH LOCAL AUTHORITY REGULATIONS.</small> |
|-------------------------------|-------------------------------------|-----------------------|--|

PRELIMINARY DESIGN-
 Not for construction

